

REASSEMBLY

1. INSTALL COIL SPRING

- (a) Using SST, compress the coil spring.
 SST 09727-30021 (09727-00010, 09727-00021, 09727-00031)

NOTICE:

Do not use an impact wrench. It will damage the SST.

- (b) Insert the coil spring to the shock absorber.

HINT:

Fit the lower end of the coil spring into the gap of the spring lower seat.

2. INSTALL SPRING BUMPER

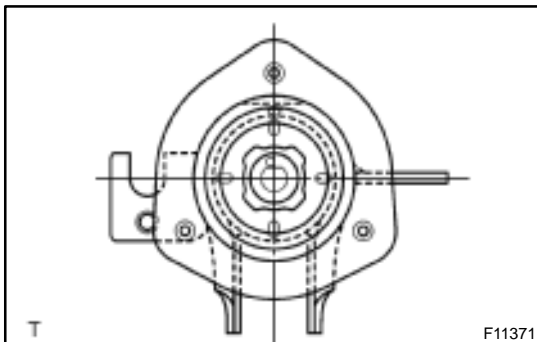
3. INSTALL SUSPENSION SUPPORT

- (a) Position the suspension support.

HINT:

Align the piston rod notch and the suspension support hole.

- (b) Temporarily install the collar and a new center nut.



- (c) Align the suspension support with the shock absorber lower bracket, as shown.

- (d) Hold the suspension support in a vise.

- (e) Tighten the center nut.

Torque: 73 N·m (745 kgf-cm, 54 ft-lbf)

- (f) Remove the SST.

SST 09727-30021 (09727-00010, 09727-00021, 09727-00031)

- (g) Recheck the direction of the spring bracket.